

标题导读：①对标准 EN_60335-2-9_A13 的讲解（2）
②偶氮染料测试的新欧盟标准

对标准 EN_60335-2-9_A13 的讲解（2）

Clause 11.1 (Replace the Addition in A12)

For ovens, rotary grills, rotisseries and cookers, compliance is also checked by the test of 11.Z101.

For contact grills, waffle irons, sandwich makers, radiant grills, raclette grills, griddles, barbecues, hot plates, candy floss, pop corn makers, compliance are also checked by the test of 11.Z102.

For breadmakers and food dehydrators, compliance is also checked by the test of 11.Z103.

For toasters, compliance is also checked by test of 11.Z104.

For roasters, compliance is also checked by test of 11.Z105.

For all other types of appliances, compliance is checked by submitting the appliance to the tests of the nearest mentioned relevant type of appliance.

Clause 11.1(Replace the addition In A12 by):

1. 烤箱, 旋转烤架, 电转烤肉架, 蒸(煮)机, 用 11.Z101 考核;
2. 三明治炉, 华夫炉, 发光烤架, 煎饼浅锅, barbecues, 棉花糖, 爆玉米锅, 用 11.Z102 考核;
3. 面包机和食物脱水器, 用 11.Z103 考核;
4. 多士炉, 用 11.Z104 考核;
5. 烘烤器, 用 11.Z105 考核.

温升不能超过 Table Z101 里规定的限值.

11.Z101

1. 烤箱, 旋转烤架, 电转烤肉架, 蒸(煮)机 在额定功率下和正常工作条件下工作.(所有加热元件都工作)
2. 如果是烤箱的话把附件拿开.

第 1 / 8 页

立创检测是从从事工业产品与消费用品检测、认证的第三方专业机构, 严格按照 ISO/IEC 17025 检测和校准实验室能力认可准则进行管理, 已经取得 CMA 计量认证资格、美国消费品安全委员会 (CPSC) 认可实验室等资质, 拥有化学、电器产品安全、EMC、光性能与能效四大实验室。

立创检测·广州公司

地址: 广东省广州市天河区天河北
689 号光大银行大厦 22A-F3
电话: +86-20-3873 1822
传真: +86-20-3873 1966
邮编: 510630

立创检测·中山检测中心

地址: 广东省中山市小榄镇广源路
科技创业中心立创检测大楼
电话: +86-760-2283 3366
传真: +86-760-2283 3399
邮编: 528415

立创检测·东莞检测中心

地址: 广东省东莞市松山湖科技九
路 1 号
电话: +86-769-2662 0220
传真: +86-769-2662 0330
邮编: 52300

网址: www.lccert.com email: marketing@lccert.com

(免责声明: 部分信息来源于网络及其它公开渠道, 限于篇幅未逐一注明, 敬请注意。)

标题导读：①对标准 EN_60335-2-9_A13 的讲解 (2)
②偶氮染料测试的新欧盟标准

11.Z101

Ovens, rotary grills, rotisseries and cookers are supplied at rated power and operated under normal operation.

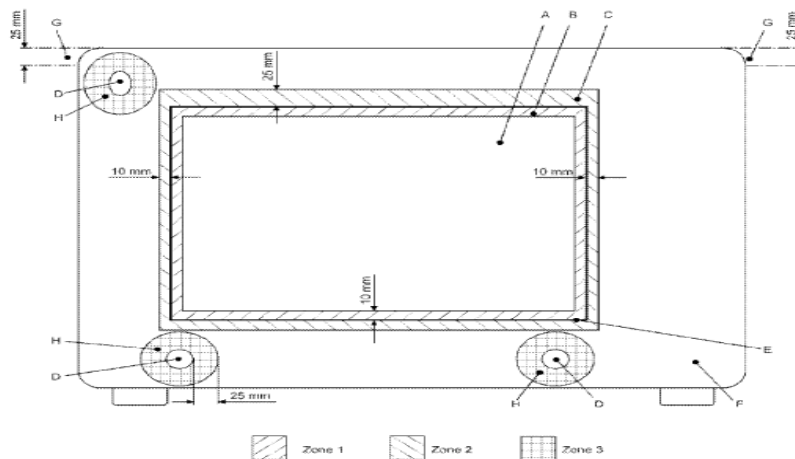
All heating units that can be connected to the supply mains at the same time during normal use are switched on. Ovens are operated without accessories.

Temperature rises are not measured on the following surfaces (see Figure Z102):

- surfaces on the oven door within 10 mm from the edge of the door (Zone 1);
- surfaces around the oven door within 10 mm from the left right or lower edge of the door, or 25 mm from the upper edge of the door (Zone 2);
- surfaces within 25 mm of vents (Zone 3);
- underside surfaces that are not accessible with test probe 41 of EN 61032;
- The rear surface of appliances which, according to the instructions, shall be placed against a wall; and are not accessible with test probe 41 of EN 61032.
- Surfaces within 25 mm from the level of the top surface of cookers when the hotplate is in operation.

During the test, the temperature rise of surfaces shall not exceed the values specified in Table Z101.

1. 根据图 Z102 里表面的区域 1, 区域 2, 区域 3 的地方可以不测
2. 试验棒 41 碰不到的地方可以不测
3. 根据说明书,器具要靠着墙使用的, 试验棒碰不到的背面可以不测。
4. 电炉工作时, 在上表面 25mm 外围内不用测



第 2 / 8 页

立创检测是从事工业产品与消费用品检测、认证的第三方专业机构, 严格按照 ISO/IEC 17025 检测和校准实验室能力认可准则进行管理, 已经取得 CMA 计量认证资格、美国消费品安全委员会 (CPSC) 认可实验室等资质, 拥有化学、电器产品安全、EMC、光性能与能效四大实验室。

立创检测·广州公司

地址: 广东省广州市天河区天河北
689 号光大银行大厦 22A-F3
电话: +86-20-3873 1822
传真: +86-20-3873 1966
邮编: 510630

立创检测·中山检测中心

地址: 广东省中山市小榄镇广源路
科技创业中心立创检测大楼
电话: +86-760-2283 3366
传真: +86-760-2283 3399
邮编: 528415

立创检测·东莞检测中心

地址: 广东省东莞市松山湖科技九
路 1 号
电话: +86-769-2662 0220
传真: +86-769-2662 0330
邮编: 52300

网址: www.lccert.com email: marketing@lccert.com

(免责声明: 部分信息来源于网络及其它公开渠道, 限于篇幅未逐一注明, 敬请注意。)

标题导读：①对标准 EN_60335-2-9_A13 的讲解（2）
②偶氮染料测试的新欧盟标准

11.Z102

三明治炉，华夫炉，发光的烤架，煎饼用浅锅，barbecues，棉花糖，爆玉米锅，在额定功率下和正常工作条件下工作。下面几个地方可以不用考虑。

1. 在热功能面之外 25mm 可以不用测
2. 通风口之外 25mm 可以不用测。
3. 试验棒 41 碰不到的地方可以不测。

11.Z102

For contact grills, waffle irons, sandwich makers, radiant grills, raclette grills and griddles, barbecues, hot plates, candy floss, pop corn makers, the temperature rise limits in Table Z101 apply. The appliance is supplied at rated power and operated under normal operation. Temperature rises are not measured on:

- outer surfaces within 25 mm in all direction of the hot functional surface;
- surfaces within 25 mm from the ventilation openings;
- underside surfaces that are not accessible with test probe 41 of EN 61032.

The probe is applied without appreciable force.

11.Z103

面包机和食物脱水器，在额定功率下和正常工作条件下工作。下面几个地方可以不用考虑。

1. 盖子边缘之外 25mm 可以不用测
2. 通风口之外 25mm 可以不用测。
3. 底面上试验棒 41 碰不到的地方可以不测。

11.Z103

For breadmakers and food dehydrators, the temperature rise limits in Table Z101 apply. The appliance is supplied at rated power and operated under normal operation.

Temperature rises are not measured on:

- surfaces within 25 mm from the edge of the lid;
- surfaces within 25 mm from the ventilation openings;
- underside surfaces that are not accessible with test probe 41 of EN 61032.

The probe is applied without appreciable force.

第 3 / 8 页

立创检测是从事工业产品与消费用品检测、认证的第三方专业机构，严格按照 ISO/IEC 17025 检测和校准实验室能力认可准则进行管理，已经取得 CMA 计量认证资格、美国消费品安全委员会（CPSC）认可实验室等资质，拥有化学、电器产品安全、EMC、光性能与能效四大实验室。

立创检测·广州公司

地址：广东省广州市天河区天河北
689 号光大银行大厦 22A-F3
电话：+86-20-3873 1822
传真：+86-20-3873 1966
邮编：510630

立创检测·中山检测中心

地址：广东省中山市小榄镇广源路
科技创业中心立创检测大楼
电话：+86-760-2283 3366
传真：+86-760-2283 3399
邮编：528415

立创检测·东莞检测中心

地址：广东省东莞市松山湖科技九
路 1 号
电话：+86-769-2662 0220
传真：+86-769-2662 0330
邮编：52300

网址：www.lccert.com email：marketing@lccert.com

(免责声明：部分信息来源于网络及其它公开渠道，限于篇幅未逐一注明，敬请注意。)

标题导读：①对标准 EN_60335-2-9_A13 的讲解（2）
②偶氮染料测试的新欧盟标准

11.Z104:

多士炉在额定功率下和正常工作条件下工作 3 个周期，下面几个地方可以不用考虑。

1. 如果是上表面加负载，在上表面向下 25mm 和 top side, 可以不用测
2. 热功能面之外 25mm 可以不用测
3. 通风口之外 25mm 可以不用测。
4. 试验棒 41 碰不到的地方可以不用测。

11.Z104

For toasters, the temperature rise limits in Table Z101 apply.

The appliance is operated for three cycles at rated power and operated under normal operation.

Temperature rises are not measured on:

- the top side of top loaded appliances and surfaces within 25 mm below the top surface;
- outer surfaces within 25 mm in all direction of the hot functional surface;
- surfaces within 25 mm from the ventilation openings;
- underside surfaces that are not accessible with test probe 41 of EN 61032.

The probe is applied without appreciable force.

11.Z105:

烘烤器在额定功率下和正常工作条件下工作，下面几个地方可以不用考虑。

1. 盖子不用测
2. 盖子边缘之外 25mm 可以不用测
3. 通风口之外 25mm 可以不用测。
4. 试验棒 41 碰不到的地方可以不用测。

立创检测是从从事工业产品与消费用品检测、认证的第三方专业机构，严格按照 ISO/IEC 17025 检测和校准实验室能力认可准则进行管理，已经取得 CMA 计量认证资格、美国消费品安全委员会（CPSC）认可实验室等资质，拥有化学、电器产品安全、EMC、光性能与能效四大实验室。

立创检测·广州公司

地址：广东省广州市天河区天河北
689 号光大银行大厦 22A-F3
电话：+86-20-3873 1822
传真：+86-20-3873 1966
邮编：510630

立创检测·中山检测中心

地址：广东省中山市小榄镇广源路
科技创业中心立创检测大楼
电话：+86-760-2283 3366
传真：+86-760-2283 3399
邮编：528415

立创检测·东莞检测中心

地址：广东省东莞市松山湖科技九
路 1 号
电话：+86-769-2662 0220
传真：+86-769-2662 0330
邮编：52300

标题导读：①对标准 EN_60335-2-9_A13 的讲解（2）
 ②偶氮染料测试的新欧盟标准

11.Z105

For roasters, the temperature rise limits in Table Z101 apply.

The appliance is supplied at rated power and operated under normal operation.

Temperature rises are not measured on:

- the lids;
- surfaces within 25 mm from the edge of the lid;
- surfaces within 25 mm from the ventilation openings;
- underside surfaces that are not accessible with probe 41 of EN 61032.

The probe is applied without appreciable force.

Table Z101 — Temperature rise limits for touchable surfaces

Surface ^d	Temperature rise K
	Surfaces of appliances likely to be touched ^{a,b}
Bare metal	45
Coated metal ^e	55
Glass and ceramic	60
Plastic and plastic coating > 0,3 mm ^c	65

^a In addition to surfaces described in 11.Z101 to 11.Z105 the following surfaces or elements shall not be taken into consideration:

- hot functional surface: surface which is intentionally heated by an internal heat source and which has to be hot to carry out the function for which the equipment is intended to be used;
- handles or control knobs including keypads, keyboards and the like are covered by 11.8 of Part 1;
- surfaces of heated cavities or surfaces adjacent to the functional areas and which have the same thermal properties.

^b When, due to the construction or dimensional limitations of the appliance, the required values cannot be met, the maximum temperature rise shall not be higher than twice the values indicated. In such cases, a warning shall be marked on the relevant surface of the appliance.

^c The temperature rise limit applies also for plastic material having a metal finish of thickness less than 0,1 mm.

^d When the thickness of the plastic coating does not exceed 0,3 mm, the temperature rise limits of the coated metal or of glass and ceramic material apply.

^e Metal is considered coated when a coating having a minimum thickness of 80 µm made by enamel or non substantially plastic coating is used.

立创检测是从事工业产品与消费用品检测、认证的第三方专业机构，严格按照 ISO/IEC 17025 检测和校准实验室能力认可准则进行管理，已经取得 CMA 计量认证资格、美国消费品安全委员会（CPSC）认可实验室等资质，拥有化学、电器产品安全、EMC、光性能与能效四大实验室。

立创检测·广州公司

地址：广东省广州市天河区天河北
 689号光大银行大厦22A-F3
 电话：+86-20-3873 1822
 传真：+86-20-3873 1966
 邮编：510630

立创检测·中山检测中心

地址：广东省中山市小榄镇广源路
 科技创业中心立创检测大楼
 电话：+86-760-2283 3366
 传真：+86-760-2283 3399
 邮编：528415

立创检测·东莞检测中心

地址：广东省东莞市松山湖科技九
 路1号
 电话：+86-769-2662 0220
 传真：+86-769-2662 0330
 邮编：52300

标题导读：①对标准 EN_60335-2-9_A13 的讲解（2）
②偶氮染料测试的新欧盟标准

Clause 11.8(Delete the addition In A12)

删除 11.8 中 A12 里增加的内容

11.8 Addition:

The temperature rise of handles or grips and that of operational devices such as switches, keypads and knobs that are intended to be touched in normal use is measured as follows:

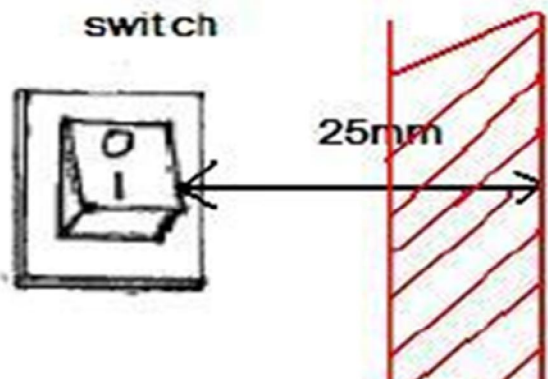
- for operational devices and grips with a surface greater than 300 mm², over an area of 20 mm around the part normally gripped or touched to operate the appliance;
- for operational devices and grips with a surface less than or equal to 300 mm², over an area of 25 mm around the part normally gripped or touched to operate the appliance.

The distance is measured along the surface as for **creepage distances** unless it is evident from the construction that the hot part cannot be touched unintentionally.

- for handles, over an area of 20 mm around the orthogonal projection of all points located at a clearance less than 40 mm between the rear (inner) part of the handle or at least 80 mm along the handle (whichever is the more unfavourable) and the hot part, unless it is evident from the construction that the hot part cannot be touched unintentionally (see Figure Z102).

The values for surfaces of handles, knobs, grips and similar parts which are held for short periods in Table 3 apply.

(Replaced by A13):



立创检测是从从事工业产品与消费用品检测、认证的第三方专业机构，严格按照 ISO/IEC 17025 检测和校准实验室能力认可准则进行管理，已经取得 CMA 计量认证资格、美国消费品安全委员会（CPSC）认可实验室等资质，拥有化学、电器产品安全、EMC、光性能与能效四大实验室。

立创检测·广州公司

地址：广东省广州市天河区天河北
689 号光大银行大厦 22A-F3
电话：+86-20-3873 1822
传真：+86-20-3873 1966
邮编：510630

立创检测·中山检测中心

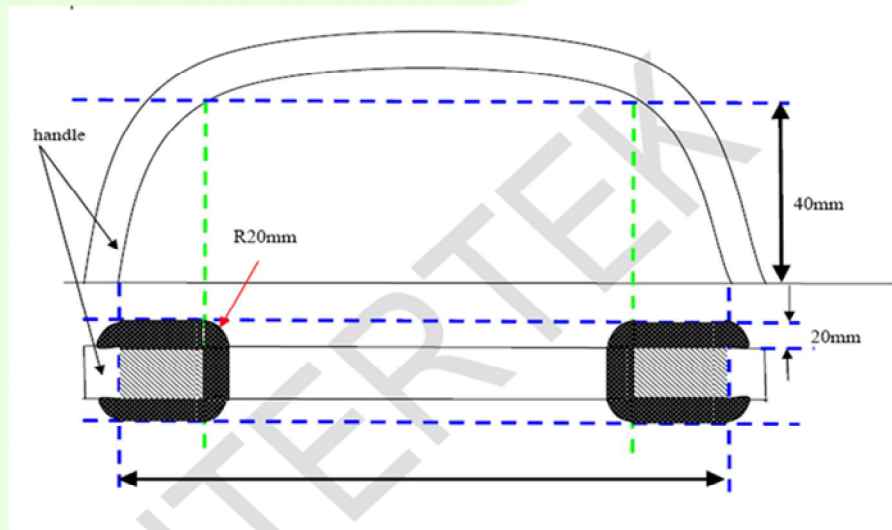
地址：广东省中山市小榄镇广源路
科技创新中心立创检测大楼
电话：+86-760-2283 3366
传真：+86-760-2283 3399
邮编：528415

立创检测·东莞检测中心

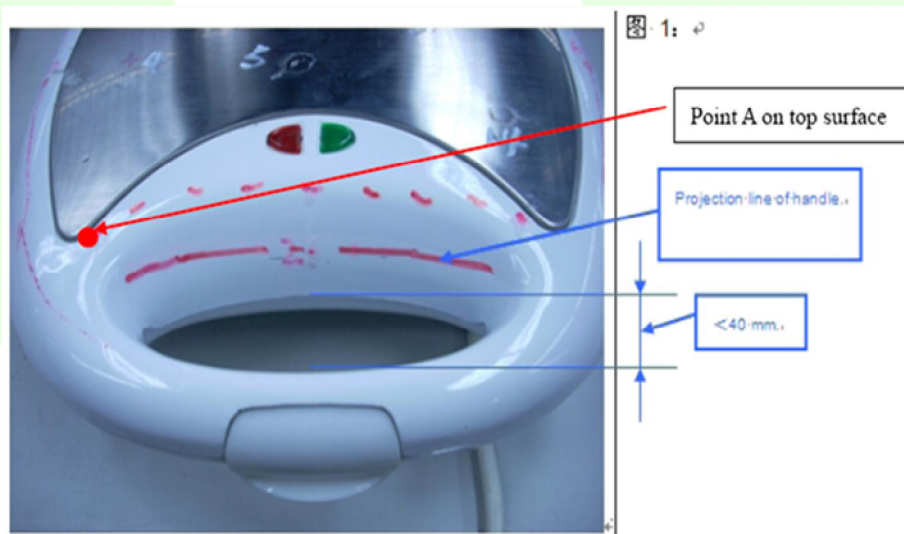
地址：广东省东莞市松山湖科技九
路 1 号
电话：+86-769-2662 0220
传真：+86-769-2662 0330
邮编：52300

标题导读：①对标准 EN_60335-2-9_A13 的讲解（2）
②偶氮染料测试的新欧盟标准

(Replaced by A13):



(Replaced by A13):



立创检测是从事工业产品与消费用品检测、认证的第三方专业机构，严格按照 ISO/IEC 17025 检测和校准实验室能力认可准则进行管理，已经取得 CMA 计量认证资格、美国消费品安全委员会（CPSC）认可实验室等资质，拥有化学、电器产品安全、EMC、光性能与能效四大实验室。

立创检测·广州公司

地址：广东省广州市天河区天河北
689号光大银行大厦22A-F3
电话：+86-20-3873 1822
传真：+86-20-3873 1966
邮编：510630

立创检测·中山检测中心

地址：广东省中山市小榄镇广源路
科技创业中心立创检测大楼
电话：+86-760-2283 3366
传真：+86-760-2283 3399
邮编：528415

立创检测·东莞检测中心

地址：广东省东莞市松山湖科技九
路1号
电话：+86-769-2662 0220
传真：+86-769-2662 0330
邮编：52300

标题导读：①对标准 EN_60335-2-9_A13 的讲解（2）
②偶氮染料测试的新欧盟标准

偶氮染料测试的新欧盟标准

欧洲标准化委员会(CEN)已正式批准测试标准 EN14362-1:2012《纺织品--偶氮染料释放出的芳香胺测定--第一部分：在提取及不提取纤维的情况下测试某些芳香胺的使用》，其将取代当前的测试标准 EN 14362-1:2003 及 EN 14362-2:2003，并将于 2012 年 8 月生效。

EN 14362-1:2012 描述检测纺织纤维中偶氮染料释放出的欧盟禁用芳香胺的程序，包括天然、人造、再生及混合纤维。该标准也与所有染色纺织品相关，如染色、印花及涂层纺织品。新测试标准包括一般抽样、复合试验，整合了 EN 14362-1:2003 及 EN 14362-2:2003 的提取方法，并且引入直接确定染料释放的被禁芳香胺的测试程序。

参考链接如下，详情请咨询立创检测！

<http://eSearch.cen.eu/eSearch/Details.aspx?id=6253962>

Newly CEN standard for AZO testing

The testing standard EN14362-1:2012, named Textiles - Methods for determination of certain aromatic amines derived from azo colorants - Part 1:Detection of the use of certain azo colorants accessible with and without extracting the fibres, was published by European Committee for Standardization (CEN), and the EN 14362-1: 2003 and EN 14362-2: 2003 will be withdrawn since Aug.31,2012.

Testing procedure for certain azo colorants was described in EN 14362-1:2012, which includes nature fibres, synthetic fibres, regenerated cellulose and mixed fibres. Meanwhile, it is also applicable to all colored textile, such as dyed, printed and coated textile. The new standard includes sampling procedure and mixed test procedure. it combines extraction methods from EN 14362-1:2003 with EN 14362-2:2003, and introduces directive testing procedure for banned AZO from dye.

Please see the following link for reference, and contact us for more details.

<http://eSearch.cen.eu/eSearch/Details.aspx?id=6253962>

第 8 / 8 页

立创检测是从事工业产品与消费用品检测、认证的第三方专业机构，严格按照 ISO/IEC 17025 检测和校准实验室能力认可准则进行管理，已经取得 CMA 计量认证资格、美国消费品安全委员会（CPSC）认可实验室等资质，拥有化学、电器产品安全、EMC、光性能与能效四大实验室。

立创检测·广州公司

地址：广东省广州市天河区天河北
689 号光大银行大厦 22A-F3
电话：+86-20-3873 1822
传真：+86-20-3873 1966
邮编：510630

立创检测·中山检测中心

地址：广东省中山市小榄镇广源路
科技创新中心立创检测大楼
电话：+86-760-2283 3366
传真：+86-760-2283 3399
邮编：528415

立创检测·东莞检测中心

地址：广东省东莞市松山湖科技九
路 1 号
电话：+86-769-2662 0220
传真：+86-769-2662 0330
邮编：52300

网址：www.lccert.com email：marketing@lccert.com

(免责声明：部分信息来源于网络及其它公开渠道，限于篇幅未逐一注明，敬请注意。)